

ENDO 恩多医疗

ENDO 恩多医疗
www.endo-surg.com

Make It Simple

- Headquarters Address: Room 102, No.6 building, Medical Instrument Industry Park, Tonglu, Hangzhou, 311500, China
- Phone: 0086 130 6781 1760
- Email: info@endo-surg.com
- Official Website: www.endo-surg.com

ENDO MEDICAL warmly welcomes your collaboration and inquiries. We look forward to providing advanced solutions for minimally invasive surgical practices, benefiting both you and your medical endeavors.

**Hangzhou Endo Medical
Instrument Co., Ltd**

Introduction

Hangzhou Endo Medical Instrument Co., Ltd. is an innovative company dedicated to the research, development, manufacturing, and distribution of minimally invasive surgical instruments. We are committed to providing high-quality, cutting-edge tools to inject new vitality into the field of minimally invasive surgery in the medical industry.

Mission and Vision: Our mission is to promote patient recovery, reduce surgical trauma, and empower medical professionals with safer and more efficient tools through innovative medical instruments. Our vision is to be a leader in the realm of minimally invasive surgery, driving technological advancements and delivering superior medical solutions to patients worldwide.

Products and Services: Our product portfolio spans various areas of minimally invasive surgery, including laparoscopic surgery, arthroscopic surgery, and more. We offer a range of high-precision microsurgical instruments, surgical assistive devices, and more, catering to the needs of diverse surgical procedures. Additionally, we provide training and technical support to ensure medical professionals can adeptly and safely use our instruments.

Technological Innovation: Technological innovation is at the core of ENDO MEDICAL, dedicated to challenging technical barriers and developing increasingly precise and cost-effective instruments. Through close collaboration with medical institutions and research organizations, we continuously push the boundaries of minimally invasive surgery.

Quality and Safety: At Minimally Invasive Tech, quality and safety are paramount. We strictly adhere to medical device regulations, ensuring rigorous quality control and testing for every instrument. Our devices are crafted from safe and durable materials, undergoing thorough clinical validation to ensure the safety and efficacy of medical procedures.

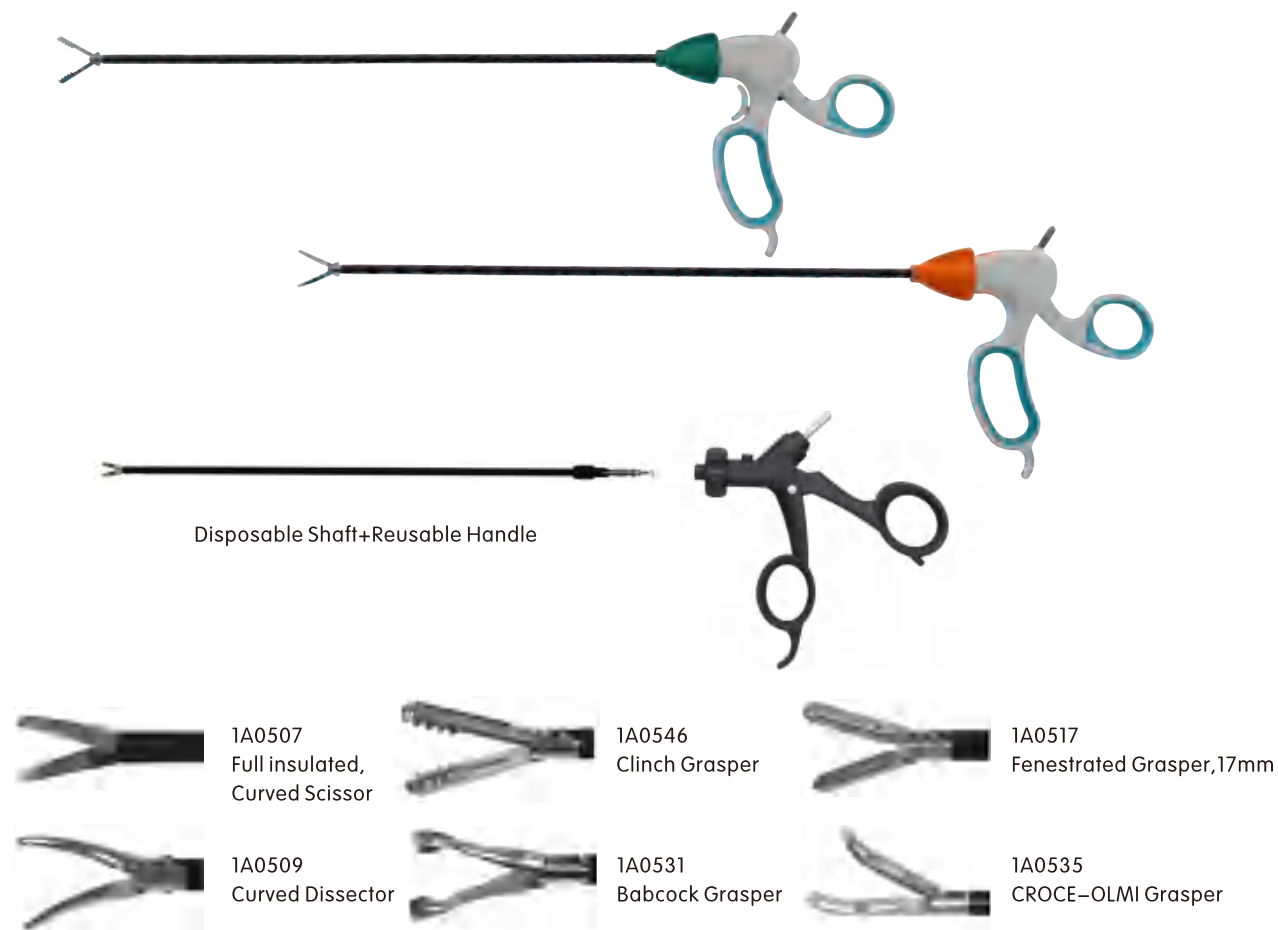
ENDO

恩多医疗

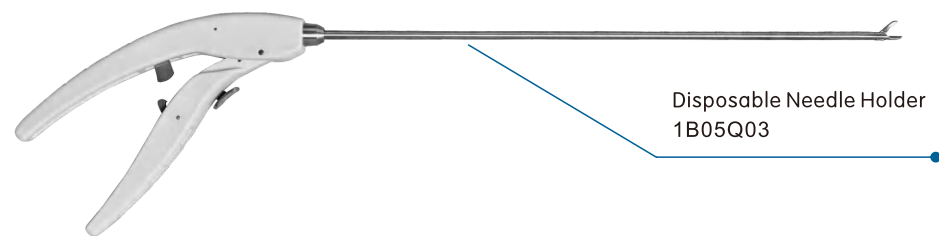
CONTENTS

| | |
|-----------------------------------------------------------------|----|
| Disposable Laparoscopic Instrument | 01 |
| Trocar、Sealing Cap、Metal Cone、Reducer | 02 |
| Polymer Ligation Clip,Clip Applier | 03 |
| Clip Applier For Open Surgery、Clip Remover | 04 |
| Titanium Clip,Clip Applier、Artery/Vein Clip,Clip Applier | 05 |
| Needle Holder | 06 |
| Knot Pusher、Closure Forceps、Retractor、Traction Grasping Forceps | 07 |
| Golden Finger、Cholangiography Forceps、Suction&Irrigation | 08 |
| Bipolar、Cord for Bipolar | 09 |
| Monopolar Electrode | 10 |
| Hand Instrument | 11 |
| Detachable Operation Forceps、Scissor、Dissector | 12 |
| Grasper | 13 |
| 10mm Handle Instruments | 16 |
| Miniature Instruments | 17 |
| Veress Needle、Needle、Uterine Manipulator Set | 18 |
| Light Guide Cable、Laparoscope、Sinuscope | 19 |
| Sterilizing Case | 20 |

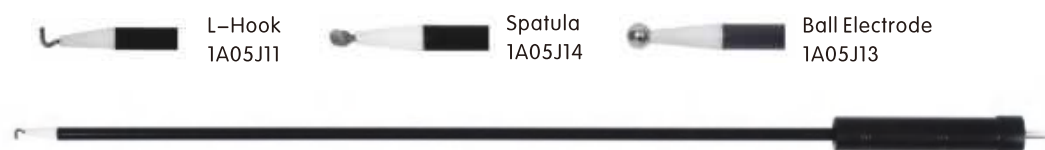
» Disposable Laparoscopic Instrument (φ 5x330mm/420mm)



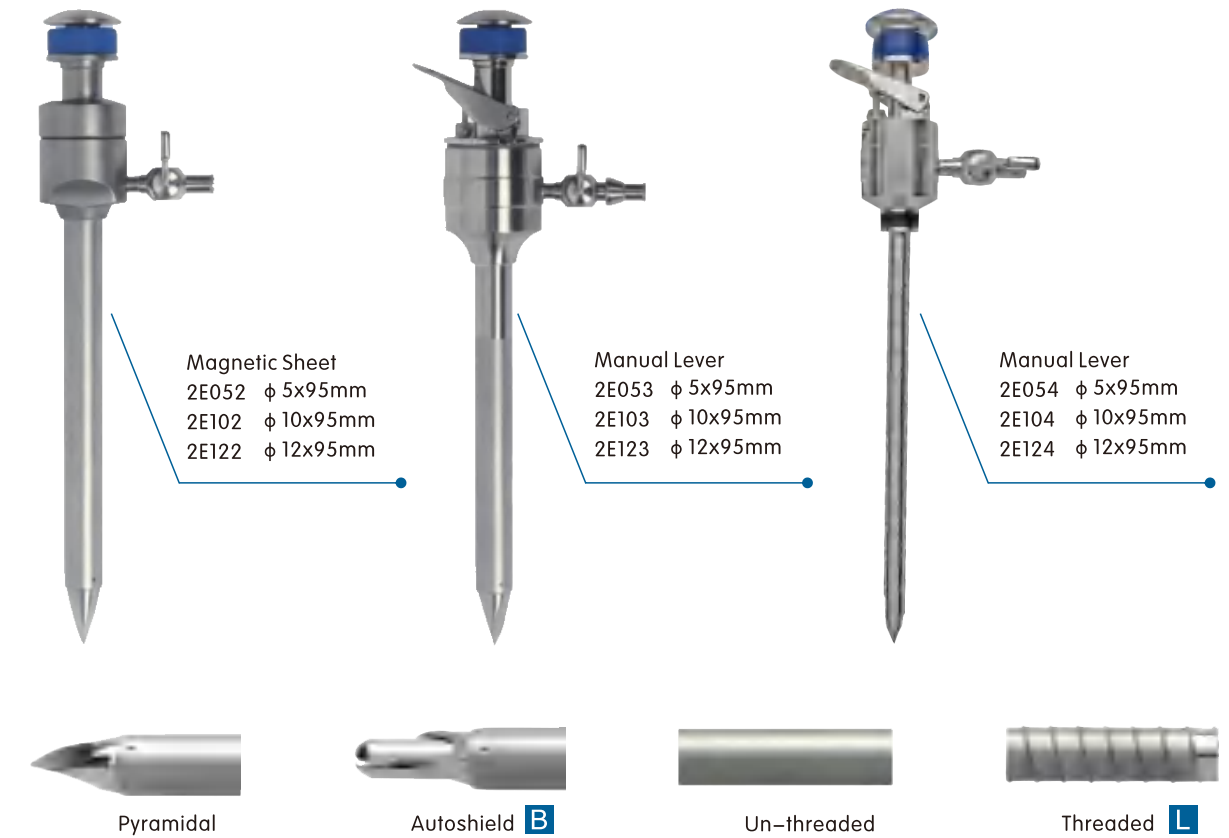
» Disposable Needle Holder (φ 5x330mm/420mm)



» Disposable Laparoscopic Electrode (φ 5x330/420mm)



» Trocar



» Sealing Cap



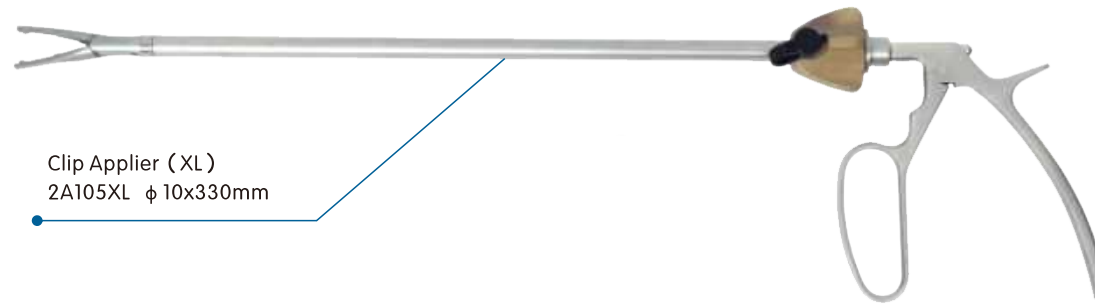
» Metal Cone



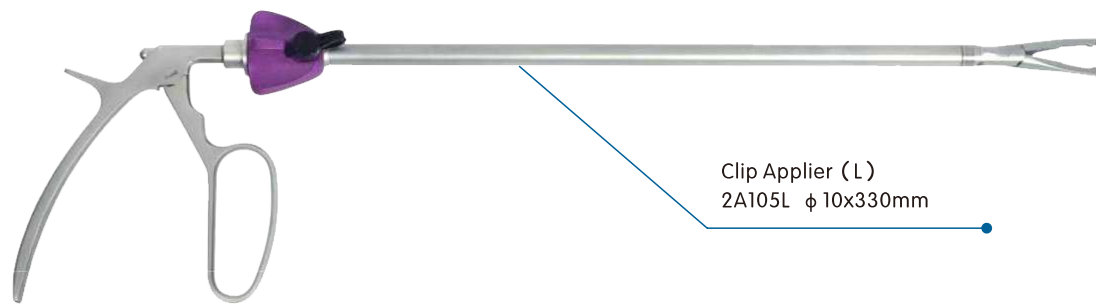
» Reducer



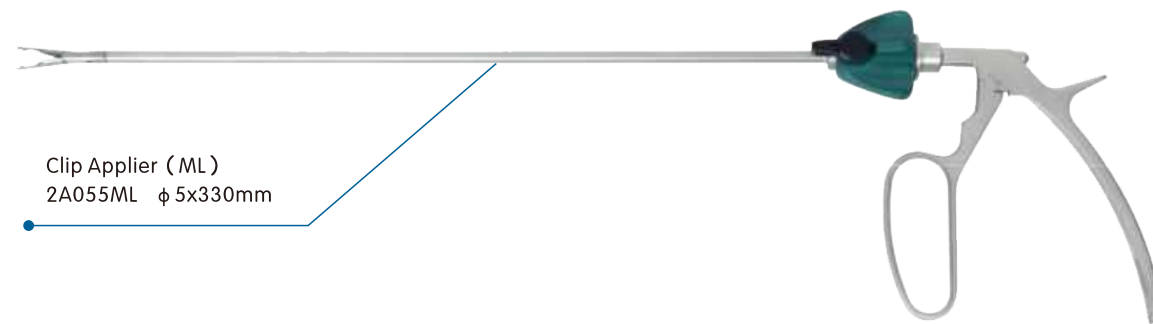
» Polymer Ligation Clip, Clip Applier



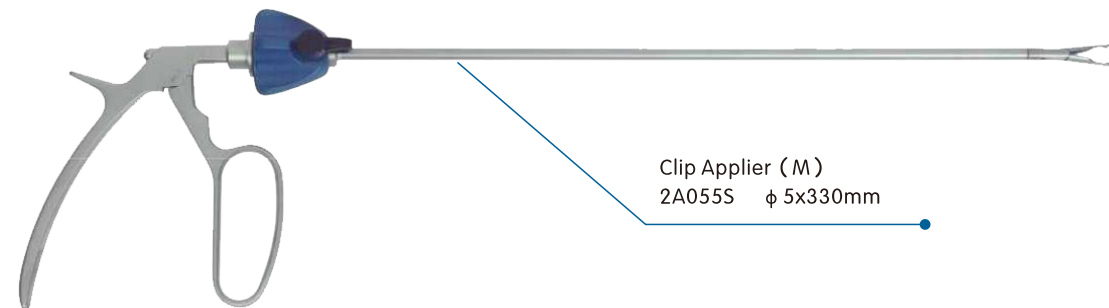
Clip Applier (XL)
2A105XL ϕ 10x330mm



Clip Applier (L)
2A105L ϕ 10x330mm



Clip Applier (ML)
2A055ML ϕ 5x330mm



Clip Applier (M)
2A055S ϕ 5x330mm

» Clip Applier For Open Surgery

2A107XL9
2A107XL30
2A107XL70



2A107L9
2A107L30
2A107L70

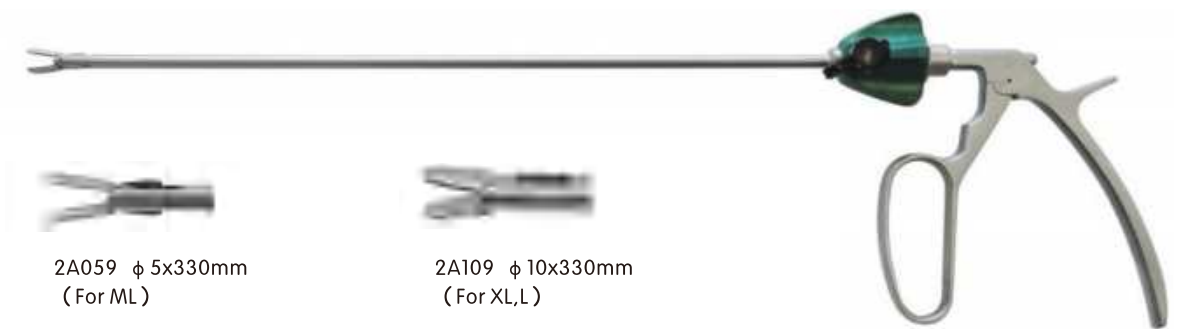


2A107ML9
2A107ML30
2A107ML70



250mm

» Clip Remover



2A059 ϕ 5x330mm
(For ML)

2A109 ϕ 10x330mm
(For XL,L)



XL



L

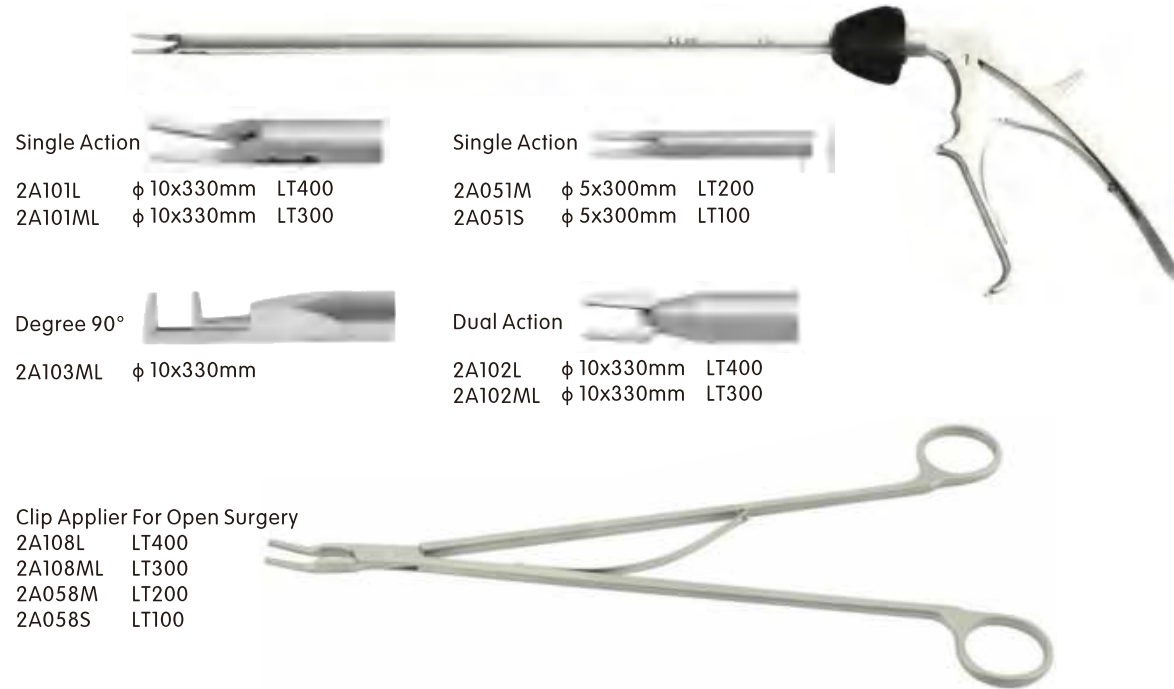


ML



M

» Titanium Clip, Clip Applier



Single Action
 2A101L ϕ 10x330mm LT400
 2A101ML ϕ 10x330mm LT300

Single Action
 2A051M ϕ 5x300mm LT200
 2A051S ϕ 5x300mm LT100

Degree 90°
 2A103ML ϕ 10x330mm

Dual Action
 2A102L ϕ 10x330mm LT400
 2A102ML ϕ 10x330mm LT300

Clip Applier For Open Surgery
 2A108L LT400
 2A108ML LT300
 2A058M LT200
 2A058S LT100

» Artery/Vein Clip, Clip Applier



2A10H1 ϕ 10x380mm

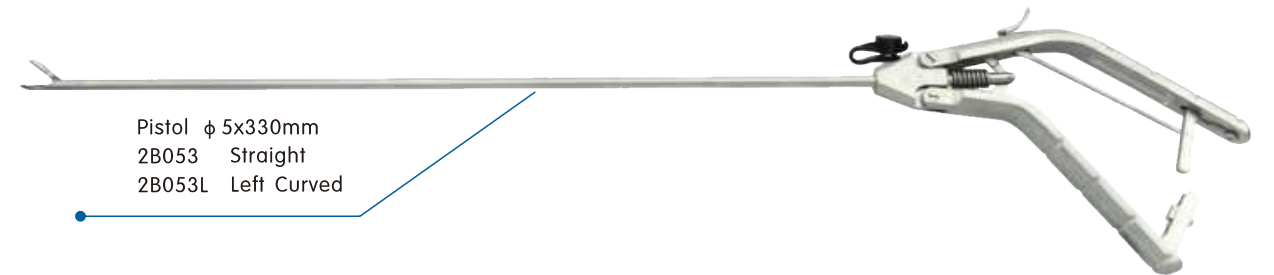
2A10H2 ϕ 10x380mm

2A1025L (Jaw 25 Curved) 2A1025 (Jaw 25 Straight)
 2A1045L (Jaw 45 Curved) 2A1045 (Jaw 45 Straight)
 2A1065L (Jaw 65 Curved) 2A1065 (Jaw 65 Straight)

» Needle Holder



"A" Shape ϕ 5x330mm
 2B051 Straight
 2B051L Left Curved



Pistol ϕ 5x330mm
 2B053 Straight
 2B053L Left Curved



"V" Shape ϕ 5x330mm
 2B054 Straight
 2B054L Left Curved



"V" Shape ϕ 5x330mm
 2B055 Straight
 2B055L Left Curved

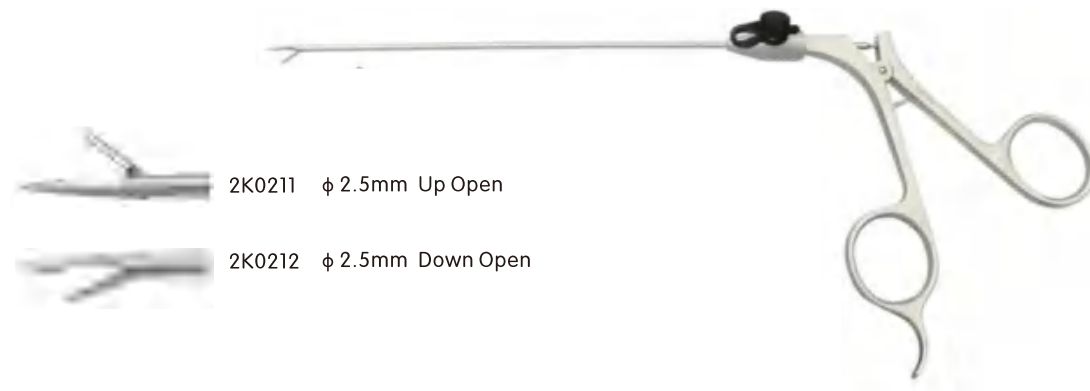


Straight **R** Right Curved **B** Self-Righting **C** Self-Righting **D** Self-Righting
L Left Curved

» Knot Pusher



» Closure Forceps



» Retractor



» Traction Grasping Forceps (φ 5x330mm)



» Golden Finger



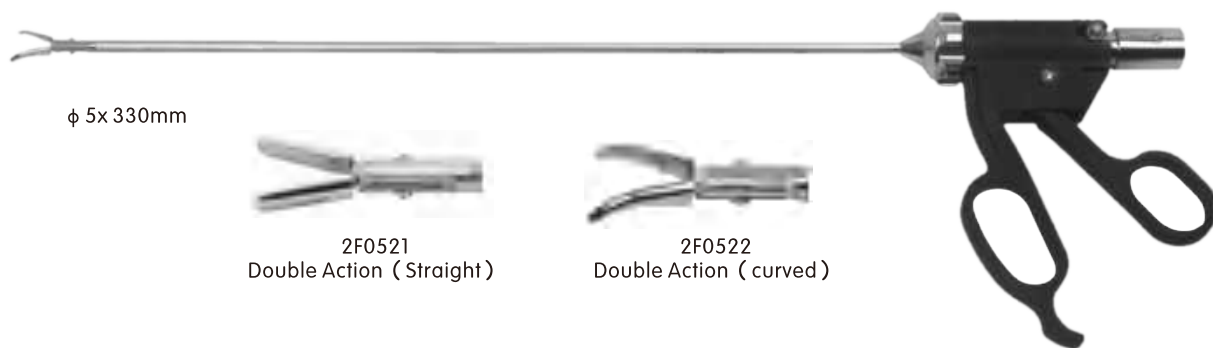
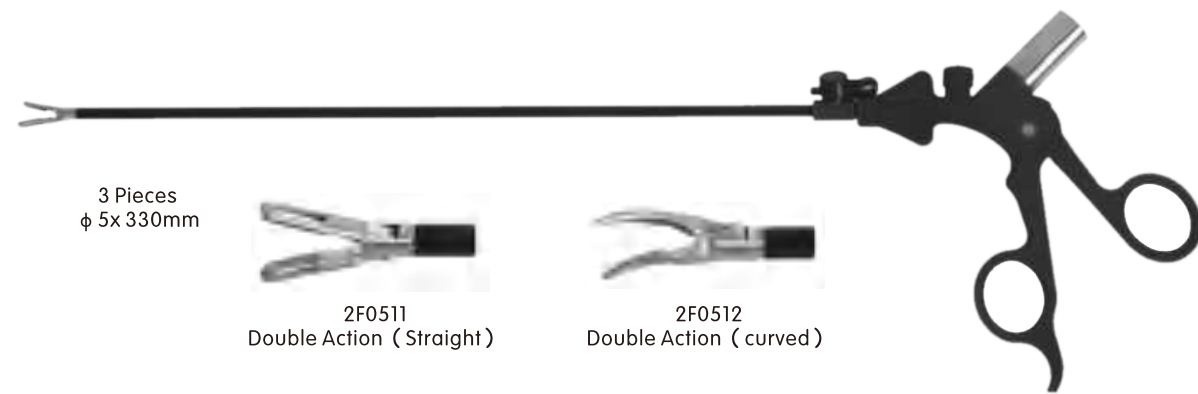
» Cholangiography Forceps



» Suction&Irrigation



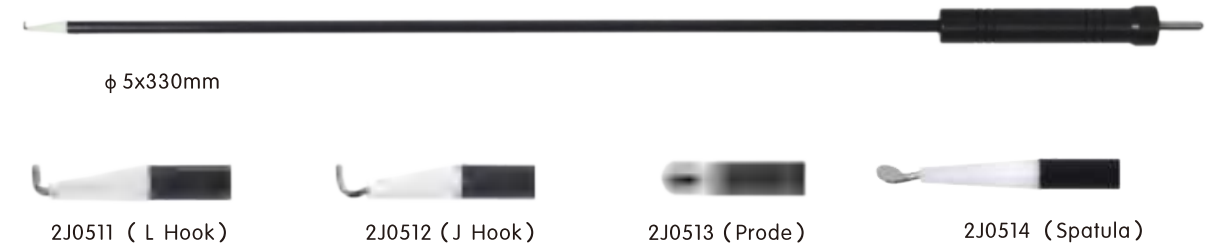
» Bipolar



» Cord for Bipolar



» Monopolar HF Electrode



» Monopolar HF Electrode with S&I



» Cord for Monopolar

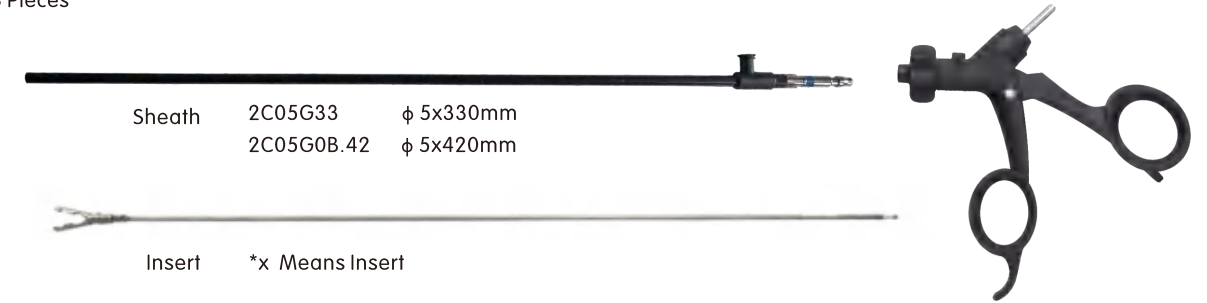


» Handle

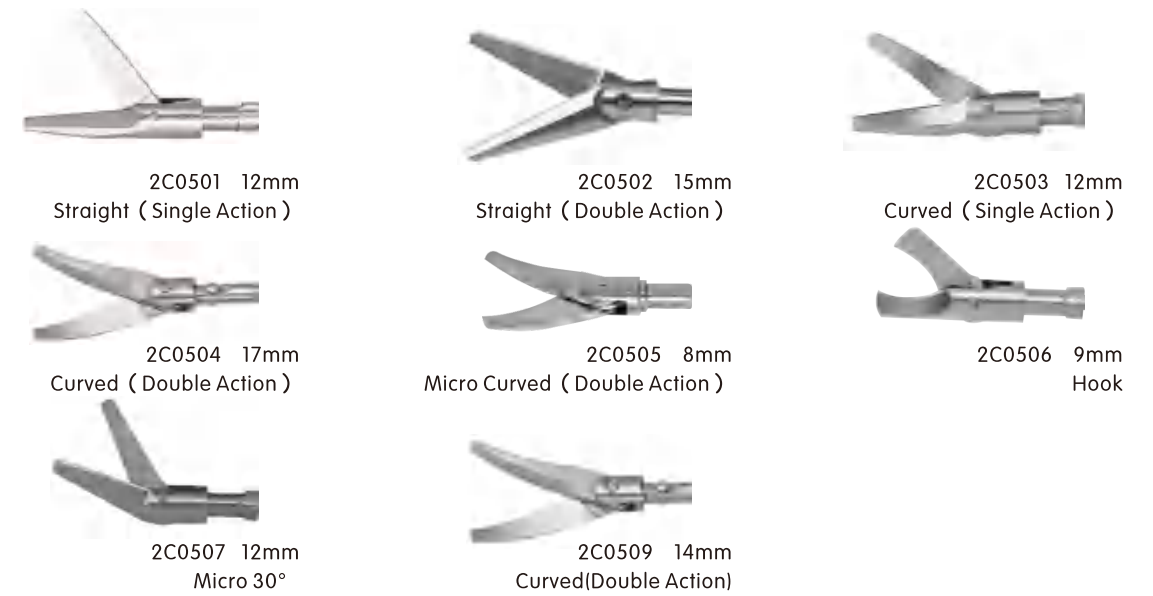


» Detachable Operation Forceps

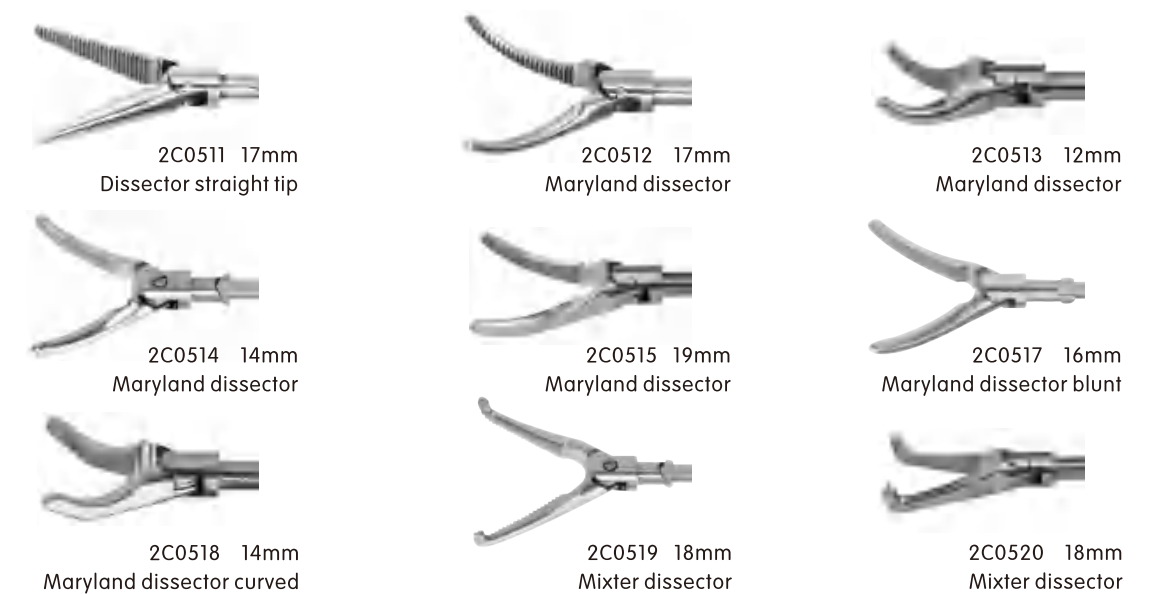
3 Pieces



» Scissor (φ 5x330mm/420mm)



» Dissector (φ 5x330mm/420mm)



» Grasper (φ 5x330mm/420mm)



2C0531 13mm
Duck nose grasper



2C0532 18mm
Ovaries forceps



2C0533 19mm
Maxi grasper



2C0534 18mm
Alligator grasping forceps



2C0535 17mm
Fenestrated wave grasping forceps



2C0536 16mm
Alligator grasping forceps



2C0537 19mm
Fenestrated grasping forceps



2C0538 16mm
Claw forceps(2+3teeth)
double action



2C0539 21mm
Babcock forceps



2C0540 22mm
Atraumatic graspers



2C0541 25mm
Babcock forceps



2C0543 22mm
Fenestrated babcock forceps



2C0544 18mm
Fenestrated grasping forceps



2C0545 26mm
Fenestrated grasping forceps



2C05103 27mm
Long fenestrated grasping forceps



2C0546 22mm
Fenestrated grasping forceps



2C0547 16mm
Blunt nose forceps



2C0548 22mm
Dolphin nose grasper



2C0549 25mm
Fenestrated grasping forceps



2C0550 14mm
Biopsy forceps

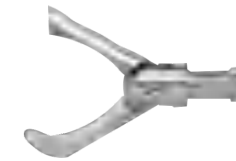


2C0551 14mm
Biopsy forceps with thorn

» Grasper (φ 5x330mm/420mm)



2C0552 18mm
Biopsy punch



2C0556 12mm
Oviduct atraumatic forceps



2C0557 11mm
Oviduct atraumatic forceps



2C0582 12mm
Fenestrated grasping forceps



2C0558 18mm
Fenestrated grasping forceps



2C0559 18mm
Grasping forceps



2C0560 15mm
Allis grasper



2C0562 15mm
Allis grasper



2C0564 13mm
Atraumatic forceps



2C0565 15mm
Fenestrated atraumatic grasper



2C0567 21mm
Claw forceps(2+4teeth)
single action



2C0568 21mm
Cobra grasping forceps
(2+4teeth) double action



2C0569 16mm
Atraumatic forcep



2C0573 23mm
Fenestrated grasping forceps



2C0571 22mm
Babcock forceps



2C0566 16mm
Fenestrated V shape forceps



2C0572 21mm
Cobra grasping forceps
(1+2teeth) double action

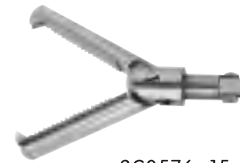


2C0581 22mm
Claw forceps



2C0574 25mm
Fenestrated grasping forceps

» Grasper (φ 5x330mm/420mm)



2C0576 15mm
Claw grasper



2C0578 20mm
A type knotting forceps



2C0577 17mm
B type knotting forceps



2C0589 21mm
Claw forceps, single action,
1+2 teeth



2C0592 22mm
OLMI atraumatic forceps,
double action



2C0591 16mm
Fenestrated atraumatic forceps,
single action



2C0570 30mm
Claw forceps



2C0586 30mm
Mini claw forceps



2C0590 32mm
Grasping forceps, single action



2C0593 32mm
Clinch Intestinal forceps



2C0553 35mm
Debaquey forceps



2C0554 35mm
Fenestrated bowel grasper



2C0587 35mm
Debaquey forceps



2C0555 38mm
Endo-lung palpation forcep

» 10mm Handle Instruments (φ 10x330mm/420mm)



2C1001
Straight Metzenbaum Scissor
26mm



2C1002
Curved Metzenbaum Scissor
25mm



2C1011
Maryland Dissector
31mm



2C1012
Mixer Skew Facets Dissector
24mm



2C1031
Large Spoon Grasper
24mm



2C1032
Claw Forcep
31mm



2C1034
Babcock Grasper
40mm



2C1035
Debaquey Grasper
47mm



2C1036
Dorsey Grasper
47mm



2C1038
Allis Grasper
39mm

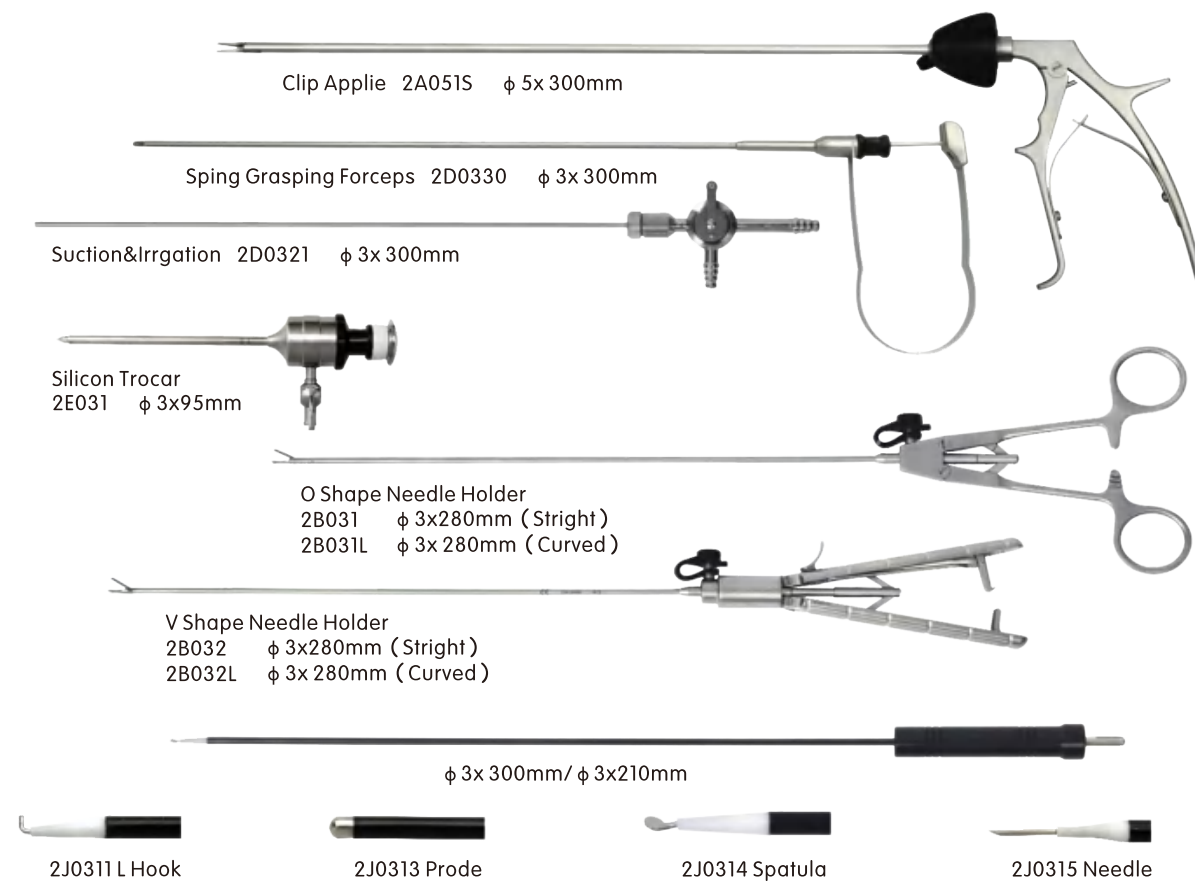


2C1039
Babcock Debaquey Grasper
34mm

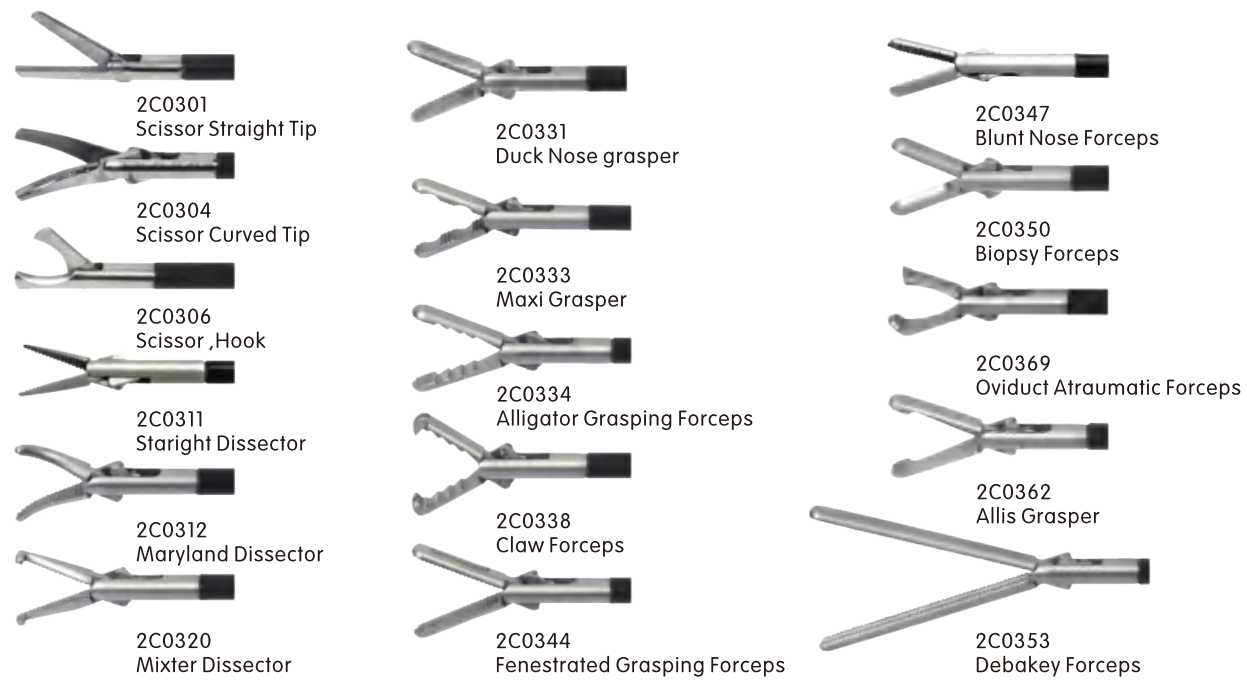


2C1041
Babcock Debaquey Grasper
34mm

» Miniature Instruments



» Miniature Instruments (ϕ 3x280mm)



» Veress Needle

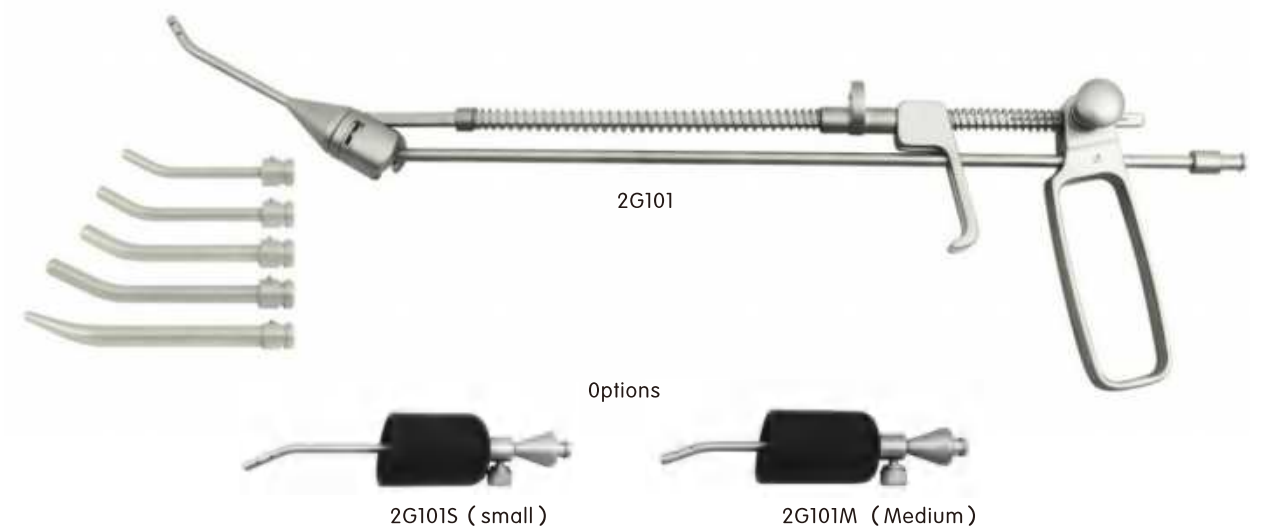


» Needle



» Uterine Manipulator Set

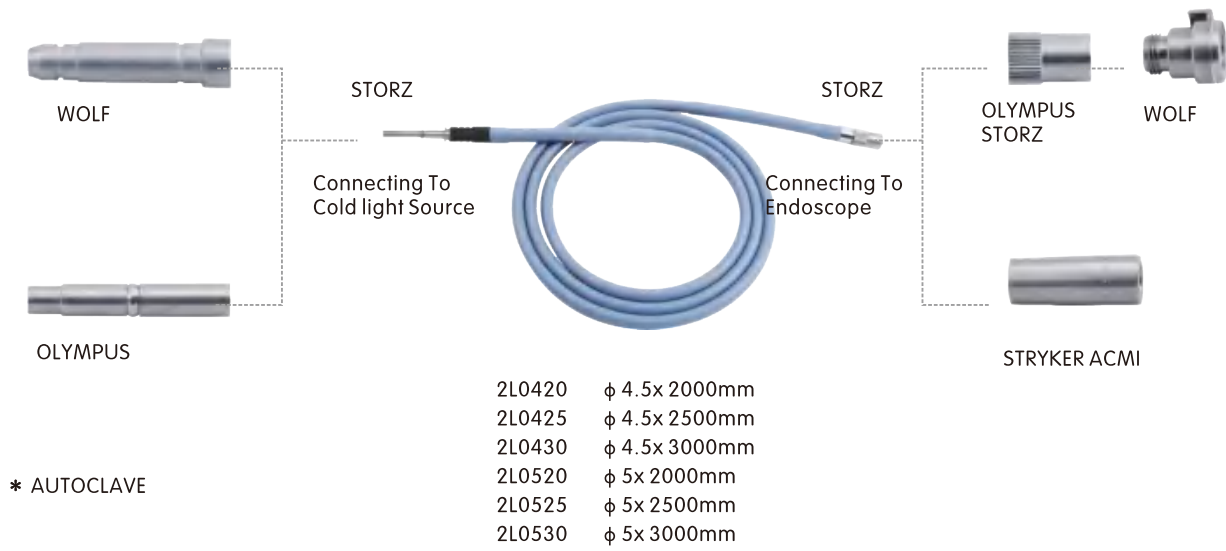
Multifunctional Uterine Mainpulator



2G201 Uterine Mannipulator



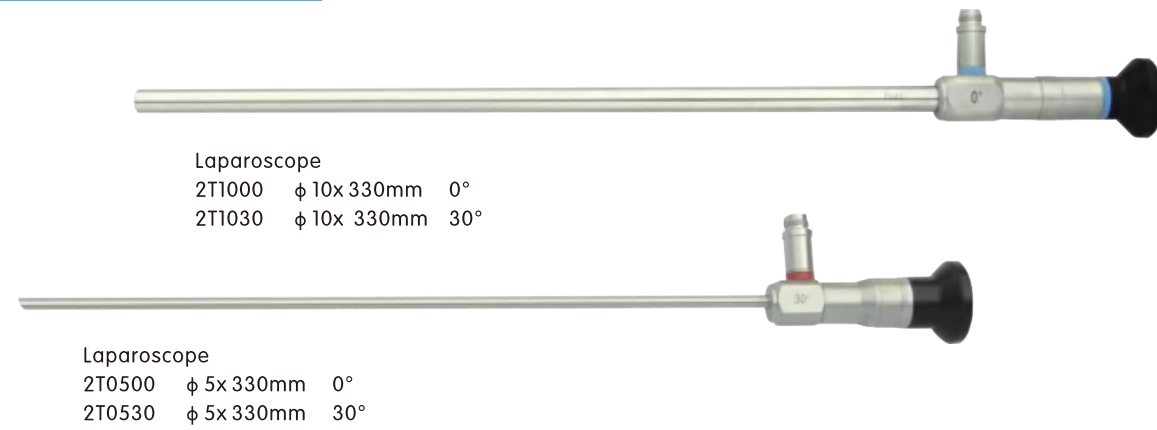
» Light Guide Cable



| | |
|--------|---------------|
| 2L0420 | φ 4.5x 2000mm |
| 2L0425 | φ 4.5x 2500mm |
| 2L0430 | φ 4.5x 3000mm |
| 2L0520 | φ 5x 2000mm |
| 2L0525 | φ 5x 2500mm |
| 2L0530 | φ 5x 3000mm |

* AUTOCLAVE

» Laparoscope



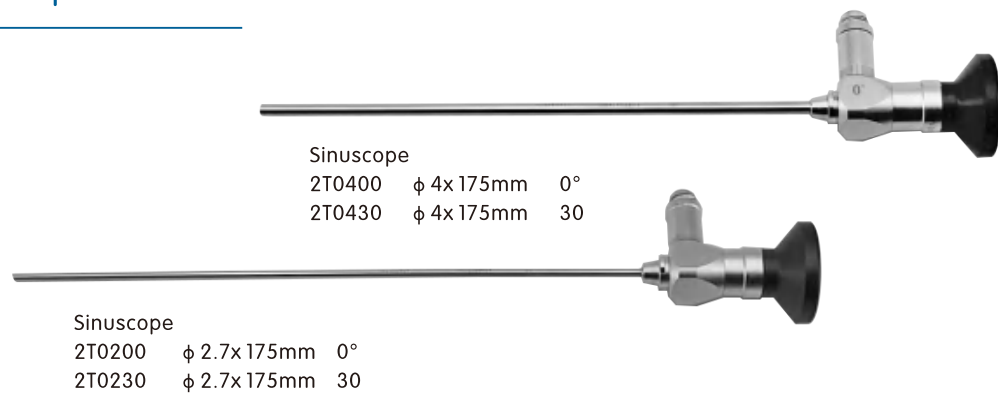
Laparoscope

| | | |
|--------|-------------|-----|
| 2T1000 | φ 10x 330mm | 0° |
| 2T1030 | φ 10x 330mm | 30° |

Laparoscope

| | | |
|--------|------------|-----|
| 2T0500 | φ 5x 330mm | 0° |
| 2T0530 | φ 5x 330mm | 30° |

» Sinuscope



Sinuscope

| | | |
|--------|------------|----|
| 2T0400 | φ 4x 175mm | 0° |
| 2T0430 | φ 4x 175mm | 30 |

Sinuscope

| | | |
|--------|--------------|----|
| 2T0200 | φ 2.7x 175mm | 0° |
| 2T0230 | φ 2.7x 175mm | 30 |

* AUTOCLAVE

» Sterilizing Case

Handle Instrument Sterilization Case



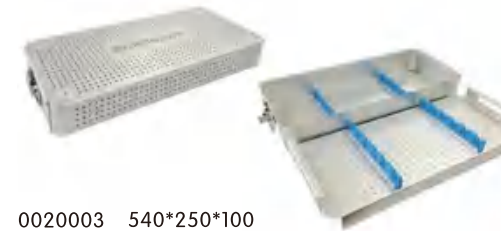
| | |
|---------|-------------|
| 0020001 | 540*250*70 |
| 0020002 | 540*250*100 |

Rigid Endoscope Sterilization Case



| | |
|---------|-----------|
| 0020005 | 270*84*42 |
| 0020006 | 450*84*42 |
| 0020007 | 580*84*42 |

Laparoscope Sterilization Case(double-layer)



| | |
|---------|-------------|
| 0020003 | 540*250*100 |
|---------|-------------|

Platic Sterilization Case



| | |
|---------|-----------|
| 0020008 | 270*70*40 |
| 0020009 | 440*70*40 |

Laparoscope Set Sterilization Case



| | |
|---------|-------------|
| 0020004 | 535*300*155 |
|---------|-------------|

Rigid Endoscope Sterilization Case



| | |
|---------|-----------|
| 0020010 | 270*84*42 |
| 0020011 | 450*84*42 |

Universal Sterilization Case



| | |
|---------|---------------------------|
| 0020016 | 300*200*50 |
| 0020017 | 300*200*70 |
| 0020018 | 300*200*90 (Double Layer) |

Aluminum Sterilization Case



| | |
|---------|-------------|
| 0020021 | 600*250*50 |
| 0020022 | 600*250*100 |